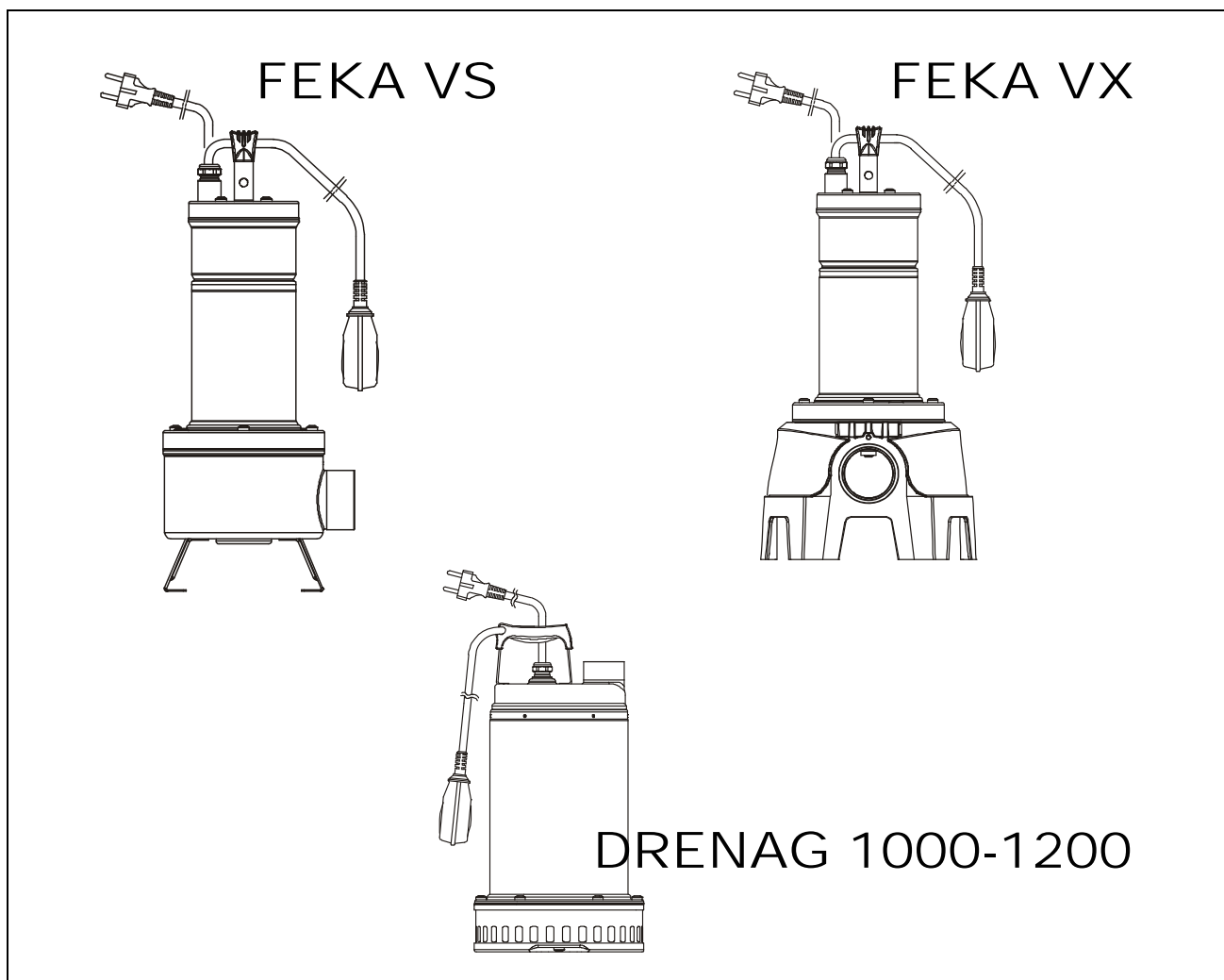


ISTRUZIONI PER L'INSTALLAZIONE E LA MANUTENZIONE
INSTRUCTIONS DE MISE EN SERVICE ET D'ENTRETIEN
INSTRUCTIONS FOR INSTALLATION AND MAINTENANCE
INSTALLATIONSANWEISUNG UND WARTUNG
INSTRUCTIES VOOR INGEBRUIKNAME EN ONDERHOUD
POKYNY K INŠTALÁCII A ÚDRŽBE
ИНСТРУКЦИИ ПО МОНТАЖУ И ТЕХНИЧЕСКОМУ БСЛУЖИВАНИЮ
KULLANIM VE BAKIM TALİMATLARI
INSTALLATIONS - OCH UNDERHÅLLSANVISNING
INSTRUCCIONES PARA LA INSTALACIÓN Y EL MANTENIMIENTO
INSTRUÇÕES PARA A INSTALAÇÃO E A MANUTENÇÃO
POKYNY K INSTALACI A ÚDRŽBĚ
ASENNUS- JA HUOLTO-OHJEET
INSTRUCTIUNI DE INSTALARE SI INTRETINERE
INSTRUKCJA MONTAŻU I KONSERWACJI
安装和维护说明
إرشادات للتركيب والعناية.



ITALIANO

Applicazioni	1
Dati tecnici e limitazioni d'uso	1
Avvertenze	2
Installazione	2
Installazione <i>FEKA VS-VX</i>	2
Installazione <i>DRENAG 1000-1200</i>	3
Allacciamento elettrico	4
Controllo del senso di rotazione (3 ~)	4
Avviamento	5
Regolazione dell'interruttore a galleggiante	5
Precauzioni	5
Manutenzione e pulizia	5
Controllo e cambio olio tenuta <i>FEKA VS-VX</i>	6
Controllo e cambio olio tenuta <i>DRENAG 1000-1200</i>	7
Modifiche e parti di ricambio	8
Ricerca e soluzioni inconvenienti	8

ENGLISH

Applications	17
Technical data and limits on use	17
Warnings	18
Installation	18
Installation <i>FEKA VS-VX</i>	18
Installation <i>DRENAG 1000-1200</i>	19
Electric connection	20
Checking the direction of rotation (3 ~)	20
Starting up	20
Adjusting the float switch	20
Precautions	21
Maintenance and cleaning	21
Checking and changing the oil <i>FEKA VS-VX</i>	22
Checking and changing the oil <i>DRENAG 1000-1200</i>	23
Modifications and spare parts	24
Troubleshooting	24

NEDERLANDS

Toepassingen	33
Technische gegevens en instructie gebruik	33
Waarschuwingen	34
Installatie	34
Installatie <i>FEKA VS-VX</i>	34
Installatie <i>DRENAG 1000-1200</i>	35
Elektrische aansluiting	36
Controle draairichting (3 ~)	36
Start	37
Bijstelling van de drijf vormige knop	37
Voorzorgen	37
Schoonmaken en onderhoud	37
Controle en olie verversen <i>FEKA VS-VX</i>	38
Controle en olie verversen <i>DRENAG 1000-1200</i>	39
Veranderingen en wisselstukken	40
Onderzoek en oplossing schade	40

FRANÇAIS

Applications	9
Caractéristiques techniques et limites d'utilisation	9
Avertissements	10
Installation	10
Installation <i>FEKA VS-VX</i>	10
Installation <i>DRENAG 1000-1200</i>	11
Branchement électrique	12
Contrôle du sens de rotation (3 ~)	12
Mise en marche	12
Réglage de l'interrupteur à flotteur	12
Précautions	13
Maintenance et lavage	13
Contrôle et vidange huile <i>FEKA VS-VX</i>	14
Contrôle et vidange huile <i>DRENAG 1000-1200</i>	15
Modifications et pièces de rechange	16
Identification des inconvénients et remèdes	16

DEUTSCH

Anwendungen	25
Technische Daten und Einsatzgrenzen	25
Hinweise	26
Installation	26
Installation <i>FEKA VS-VX</i>	26
Installation <i>DRENAG 1000-1200</i>	27
Elektroanschluss	28
Kontrolle der Drehrichtung (3 ~)	28
Anlassen	29
Einstellen des Schwimmerschalters	29
Vorsichtsmaßnahmen	29
Wartung und Reinigung	29
Kontrolle und Ölwechsel <i>FEKA VS-VX</i>	30
Kontrolle und Ölwechsel <i>DRENAG 1000-1200</i>	31
Änderungen und Ersatzteile	32
Störungssuche und Abhilfen	32

SLOVENSKÝ JAZYK

Použitie	41
Technické údaje a obmedzenie použitia	41
Upozornenia	42
Inštalácia	42
Inštalácia <i>FEKA VS-VX</i>	42
Inštalácia <i>DRENAG 1000-1200</i>	43
Elektrické pripojenie	44
Kontrola smeru otáčania (3~)	44
Spúšťanie	45
Regulácia plavákového spínača	45
Bezpečnosté opatrenia	45
Údržba a čistenie	45
Kontrola a výmena oleja <i>FEKA VS-VX</i>	46
Kontrola a výmena oleja <i>DRENAG 1000-1200</i>	47
Úpravy a náhradné diely	48
Vyhľadávanie a odstraňovanie porúch	48

INSTRUCTIONS FOR INSTALLATION AND MAINTENANCE



Installation and functioning must comply with the safety regulations in force in the country in which the product is installed. The entire operation must be carried out in a workmanlike manner.

Failure to comply with the safety regulations not only causes risk to personal safety and damage to the equipment, but invalidates every right to assistance under guarantee.

APPLICATIONS

The **FEKA VS-VX** pump is a submersible centrifugal pump made of stainless steel with a vortex back impeller, designed and built for use with dirty water from septic tanks and dirty water in general containing solid bodies with maximum diameter 50 mm, but only for non-aggressive water. Thanks to the radial delivery aperture (2" female) it may be easily fitted on lifting devices (type DSD2).

The float, where fitted, allows fixed installation and guarantees automatic pumping operation.

The **DRENAG 1000 - 1200** pump is of submersible centrifugal type, made completely of stainless steel with a clearance impeller, designed and built to pump clear waste water, sandy, muddy and sludgy waters, without fibre, containing solid bodies with maximum dimensions up to 10 mm in diameter, but always non-aggressive waters. Suitable for domestic and building-site uses in fixed applications, with manual or automatic operation, for draining cellars and garages prone to flooding, for pumping drains, rainwater traps or infiltrations from gutters, excavations, etc. Thanks to their compact shape and easy manoeuvrability and to the vertical delivery mouth with male thread, they are also suitable for particular applications as portable pumps for emergency uses, such as for drawing water from tanks or rivers, draining swimming pools or fountains, excavations or underpasses. Also suitable for gardening and hobby uses in general.

The float, where fitted, allows fixed installation and guarantees automatic pumping operation.



These pumps cannot be used in swimming pools, ponds or tanks in which people or present, or for pumping hydrocarbons (petrol, diesel fuel, fuel oils, solvents, etc.) in accordance with the accident-prevention regulations in force.

N.B. The liquid inside the pump, to lubricate the seal device, is not toxic but it may alter the characteristics of the water (if it is pure water) if there is a leak in the seal device.

TECHNICAL DATA AND LIMITS ON USE

- **Supply voltage:**

1 X 220/240V 50Hz	1 X 220/230V 60Hz
3 X 400V 50Hz	3 X 230V 60Hz
3 X 230V 50Hz	3 X 380/400V 60Hz
- **Flow rate:** see electric data plate
- **Hmax (m) - Head:** pag. 135
- **Degree of motor protection:** see electric data plate
- **Protection class:** see electric data plate
- **Absorbed power:** see electric data plate
- **Liquid temperature range:**
 - from 0°C to +35°C for domestic use (safety standards EN 60335-2-41)
 - from 0°C to +50°C for other uses
- **Maximum immersion:** 10 metres
- **Storage temperature:** -10°C to +40°C
- **Noise level:** Falls within the limits envisaged by EC Directive 89/392/EEC and subsequent modifications.

WARNINGS

1. Use is allowed only if the electric system is in possession of safety precautions in accordance with the regulations in force.

The appliance is not intended for use by persons (including children) with reduced physical, sensory or mental capabilities, or lack of experience and knowledge, unless they have been given supervision or instruction concerning use of the appliance by a person responsible for their safety. Children should be supervised to ensure that they do not play with the appliance.

2. The pump is provided with a carrying handle which may also be used to lower it into wells or deep holes with a rope or cable.



The pumps must never be carried, lifted or made to operate hanging from their power cable.

3. If the power cable is damaged in any way it must be **replaced** and **not repaired** (use cable type H07RN-F diam. 9 – 9.5 mm. with minimum length 10 metres for the portable version, with a UNEL 47166-68 plug for the SINGLE-PHASE version and with an EEC plug for the THREE-PHASE version).

This must be done by skilled personnel, in possession of the qualifications required by the regulations in force.

4. Qualified personnel must also be employed for all electrical repairs which, if badly carried out, could cause damage and accidents.
5. The pump must **never** be allowed to run dry.
6. The Manufacturer does not vouch for correct operation of the pump if it is tampered with or modified.

INSTALLATION

1. If the bottom of the well or borehole in which the pump is to operate is particularly dirty, it is advisable to provide a support for the pump to sit on so as to avoid clogging of the intake grid. (**Fig. 1-Fig.3**).

2. Before putting the pump in position, ensure that the strainer is not totally or partially blocked by mud, sediment or similar substances.

3. It is advisable to use pipes with an internal diameter at least equal to that of the delivery mouth, to avoid falls in pump performance and the possibility of clogging. In cases where the delivery pipe has long horizontal stretches, it is advisable for this pipe to have a larger diameter than that of the delivery mouth.

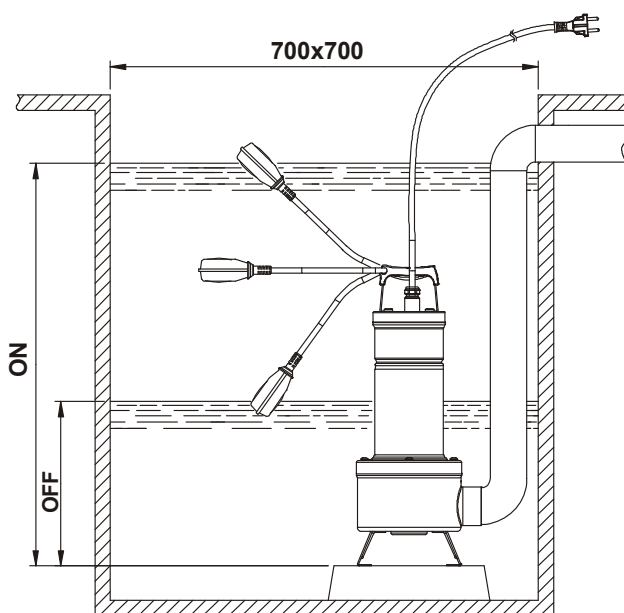
4.



Totally immerse the pump in the water.

INSTALLATION FEKA VS-VX

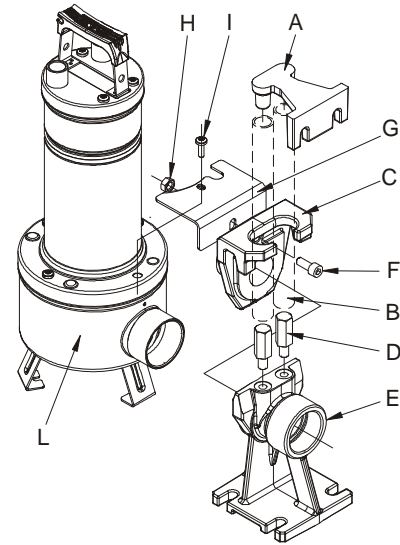
1. On the version provided with a float switch, ensure that the float can move freely (SEE THE PARAGRAPH ON ADJUSTING THE FLOAT SWITCH). Ensure that the **minimum dimensions** of the borehole are as in **Fig.1**. The dimensions of the borehole must also be calculated with relation to the quantity of water arriving and to the pump flow rate so as not to subject the motor to excessive starting operations.
2. When the pump is to be in a fixed installation, with a float, a check valve must always be fitted in the delivery pipe. This is also advisable on pumps with manual operation.



(Fig.1)

3. Connect the delivery pipe or hose directly to the pump mouth. If the pump is used in fixed installations it is advisable to connect it to the pipe with a coupling so as to facilitate disassembly and reinstallation. If a hose is used, fit a threaded hosetail on the pump mouth. Wrap the thread with suitable material to ensure an effective seal (teflon tape or similar).
4. For fixed installations we advise the use of the lifting device DSD2 (available on request - **Fig.2**) to facilitate pump maintenance operations. When fitted between the pump delivery aperture and the pipe, it avoids having to remove the delivery pipe during maintenance jobs. The DSD2 device is composed of 8 parts:

- A. Pipe anchoring bracket
- B. 3/4" pipes (not supplied)
- C. Slide
- D. Pipe guide columns
- E. Foot
- F. Screw TCEI M10X25
- G. Base bracket
- H. Nut M10
- I. Pump flange screw
- L. Pump



(Fig.2)

The foot is positioned on the bottom of the tank and fixed with expansion screws of suitable dimensions. The pipe guide bracket must be positioned at the top of well or borehole and inserted in the end of two 3/4" pipes (not supplied), which act as a slide. The two pipes connect the bracket to the foot. Position the base bracket in contact with the pump suction strainer near the delivery aperture, secure everything to the strainer cover with the screws provided to lock the strainer cover.

Remove the top screw from the flange on the delivery side (I).

Assemble the anti-rotation bracket (G).

Replace the screw (I).

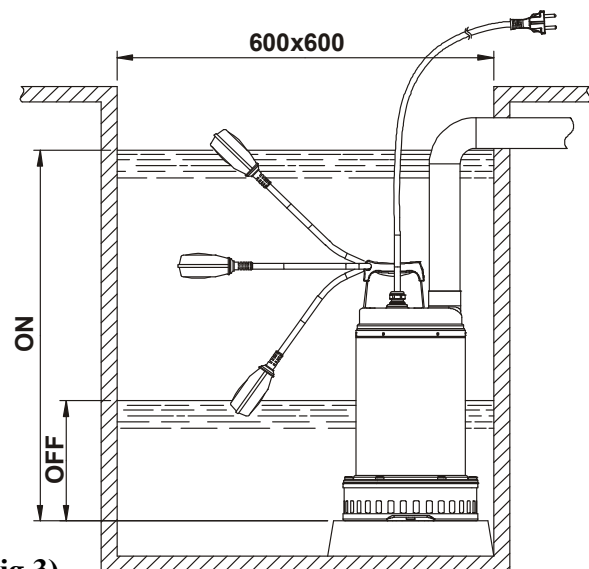
Extract the slide from the coupling foot and connect it to the delivery port of the pump.

Using the screw F and the nut H, fix the slide to the pump as indicated in the figure.

Reposition the slide/pump assembly on the foot (**Fig.2**).

INSTALLATION *DRENAG 1000-1200*

1. Connect the delivery pipe or hose directly to the pump mouth. If the pump is used in fixed installations it is advisable to connect it to the pipe with a coupling so as to facilitate disassembly and reinstallation. If a hose is used, fit a threaded hosetail on the pump mouth. Wrap the thread with suitable material to ensure an effective seal (teflon tape or similar).
2. On the version provided with a float switch, ensure that the float can move freely (SEE THE PARAGRAPH ON ADJUSTING THE FLOAT SWITCH). Ensure that the **minimum dimensions** of the borehole are as in **Fig.3**. The dimensions of the borehole must also be calculated with relation to the quantity of water arriving and to the pump flow rate so as not to subject the motor to excessive starting operations.



(Fig.3)

- When the pump is to be in a fixed installation, with a float, a check valve must always be fitted in the delivery pipe. This is also advisable on pumps with manual operation.

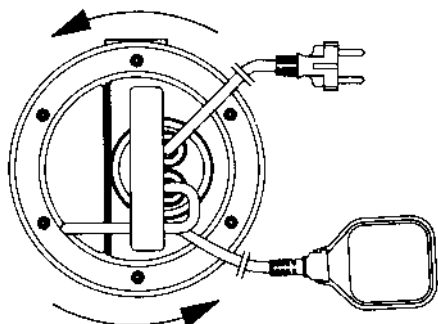
ELECTRIC CONNECTION

CAUTION! ALWAYS FOLLOW THE SAFETY REGULATIONS.



- Ensure that the mains voltage is the same as the value shown on the motor plate and that there is the possibility of **MAKING A GOOD EARTH CONNECTION**.
- Pumping stations must always be provided with an automatic switch with an intervention current of less than 30 mA.**
- Single-phase motors are provided with built-in thermal overload protection and may be connected directly to the mains. **N.B.** If the motor is overloaded it stops automatically. **Once it has cooled down it starts again automatically without any need for manual intervention.**
- Three-phase pumps must be protected with motor protectors suitably calibrated according to the values on the data plate of the pump to be installed. The plug on the pump must be connected to an EEC socket complete with isolating switch and fuses.
- Do not damage or cut the power cable. If this should occur accidentally, have it repaired or replaced by skilled and qualified personnel.

CHECKING THE DIRECTION OF ROTATION (for three-phase motors)



(Fig.4)

The direction of rotation must be checked each time a new installation is made.

Proceed as follows (Fig.4):

- Place the pump on a flat surface.
- Start the pump and stop it immediately.
- Carefully observe the kick-back on starting, looking at the pump from the motor side. The direction of rotation is correct, that is clockwise, if the protection cap moves as in the drawing (anti-clockwise).

If it is not possible to check as described above because the pump is already installed, check as follows:

- Start the pump and observe the water flow rate.
- Stop the pump, switch off the power and invert two phases on the supply line.
- Restart the pump and check the water flow rate again.
- Stop the pump.



The correct direction of rotation will be the one in which the flow rate and electric absorption are LOWER!

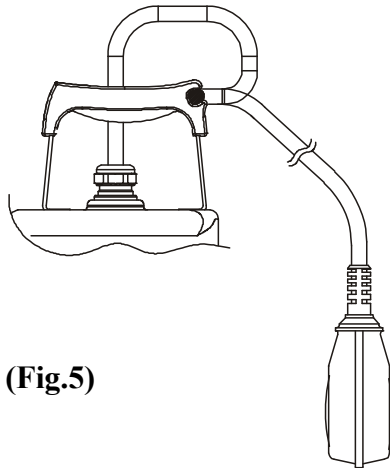
STARTING UP

Models with a float switch start up automatically when the water level rises; models without a float are started by means of a switch located upstream from the socket (not supplied).

ADJUSTING THE FLOAT SWITCH

Lengthening or shortening the cable between the float and the fixed point (slot provided in the handle - Fig.5) adjusts the START or STOP level of the pump. Be sure that the float can move freely.

Ensure that the stop level does not uncover the strainer.



(Fig.5)

PRECAUTIONS

1. The intake strainer must always be in place during pump operation.
2. The pump should not be started more than 20 times in one hour so as not to subject the motor to excessive thermal shock.
3. **DANGER OF FROST:** When the pump remains inactive for a long time at temperatures of less than 0°C, it is necessary to ensure that there is no water residue which could freeze and cause cracking of the pump components.
4. If the pump has been used with substances which tend to form a deposit, rinse it after use with a powerful jet of water so as to avoid the formation of deposits or scale which would tend to reduce the yield of the pump.

MAINTENANCE AND CLEANING



In normal operation, the pump does not require any specific maintenance, thanks to its mechanical seal lubricated in an oil chamber and to its sealed-for-life bearings. **The electropump must not be dismantled unless by skilled personnel in possession of the qualifications required by the regulations in force.** In any case, all repairs and maintenance jobs must be carried out only after having disconnected the pump from the power mains.

During disassembly, pay attention to any sharp parts which could cause injury.

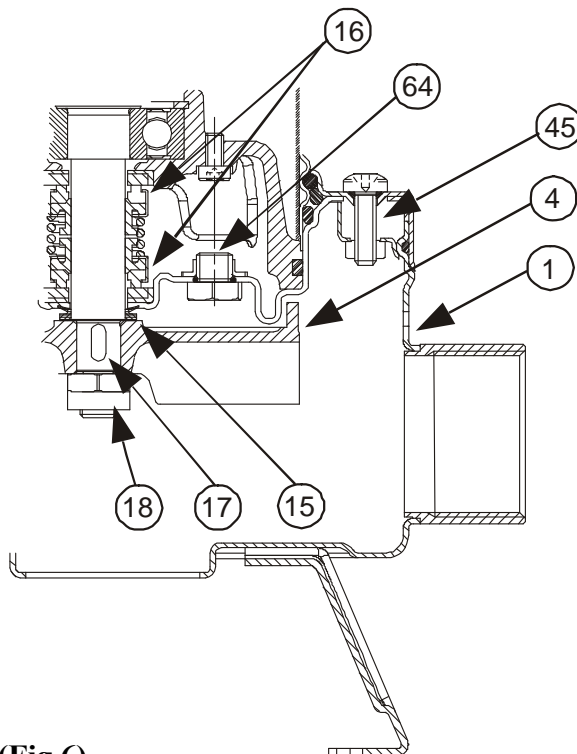
CHECKING AND CHANGING THE SEALING OIL *FEKA VS-VX*

To perform this operation, slacken the six screws (45) so as to be able to remove the strainer cover, the strainer and the pump body (1). Retain the O-ring (28) and the nuts (51). Using a suitable spanner, unscrew the impeller retaining nut (18), holding the impeller (4) still with your hand. Retain the key (17) and the sand guard (15). Now overturn the pump with the hydraulic part facing upwards, unscrew and remove the drainage cap (64).

Tilt the pump so as to let the oil flow out of the drainage hole (64) and catch it in a container. Analyse the oil: if you find any particles of water or abrasive materials (for example, sand) it is advisable to check the condition of the mechanical seal (16) and to have it changed if necessary (at a specialized centre). In this case change the oil too, with **about 170 gr of oil type MARCOL 152ESSO**.

Top up the oil level inside the sealing oil chamber using a special funnel inserted in the hole in the cap (64). Screw the drainage cap (64) back on and perform the disassembly operations in inverse order to reassemble the pump after having spread a suitable amount of teflon grease in the seat of the sand guard (15).

OLD OIL MUST BE DISPOSED OF AS REQUIRED BY THE REGULATIONS IN FORCE.



(Fig.6)

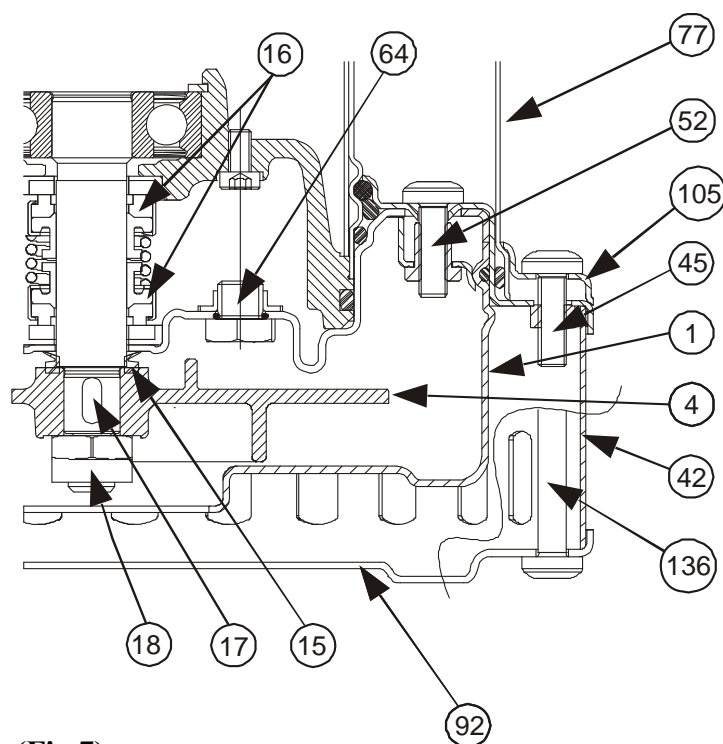
CHECKING AND CHANGING THE SEALING OIL *DRENAG 1000-1200*

To perform this operation you must unscrew the six screws of the flange (45) so as to be able to remove the flange (105) and the outer jacket (77). Unscrew the three screws of the filter cover (136) and remove the cover (92) and the filter (42). Unscrew the four screws of the pump body (52) and remove the pump body (1). Using a suitable wrench, unscrew the nut (18) that blocks the impeller, holding the impeller (4) still with your hand. Remove the impeller (4), if necessary with the aid of levers. Recover the tab (17) and the sand protection ring (15), unscrew and remove the cap (64). Tilt the pump so as to drain the oil out of the hole of the cap (64) and pour it into a container. Analyse the oil: if you find any particles of water or abrasive materials (for example, sand) it is advisable to check the condition of the mechanical seal (16) and to have it changed if necessary (at a specialized centre). In this case change the oil too, with **about 170 gr of oil type MARCOL 152 ESSO**.

Top up the oil level inside the sealing oil chamber using a special funnel inserted in the hole in the cap (64). Screw the drainage cap (64) back on and perform the disassembly operations in inverse order to reassemble the pump after having spread a suitable amount of teflon grease in the seat of the sand guard (15).

Attention! During assembly, fit all the O-rings correctly, without damaging them.

OLD OIL MUST BE DISPOSED OF AS REQUIRED BY THE REGULATIONS IN FORCE.



(Fig.7)

MODIFICATIONS AND SPARE PARTS

Any modification not authorized beforehand relieves the manufacturer of all responsibility. All the spare parts used in repairs must be original ones and the accessories must be approved by the manufacturer so as to be able to guarantee maximum safety of the machines and systems in which they may be fitted.

The manufacturer declines all responsibility for possible errors in this booklet, if due to misprints or errors in copying. The company reserves the right to make any modifications to products that it may consider necessary or useful, without affecting the essential characteristics.

TROUBLESHOOTING

FAULT	CHECK (possible cause)	REMEDY
1. The motor does not start and makes no noise.	A. Check that the motor is live. B. Check the protection fuses. C. The float switch does not allow starting.	B. If they are burnt-out, change them. C. -Ensure that the float moves freely. -Ensure that the float is efficient (contact the supplier).
2. The pump does not deliver.	A. The intake grid or the pipes are blocked. B. The impeller is worn or blocked. C. The check valve, if installed on the delivery pipe, is blocked in closed position. D. The level of the liquid is too low. When starting, the level of the liquid must be higher than that of the strainer. E. The required head is higher than the pump characteristics.	A. Remove the blockage. B. Change the impeller or remove the blockage. C. Check that the valve is operating correctly and replace it if necessary. D. Adjust the length of the float switch cable (SEE THE PARAGRAPH ON "ADJUSTING THE FLOAT SWITCH").
3. The pump does not stop.	A. The switch is not deactivated by the float.	A. -Ensure that the float moves freely. -Check float efficiency (the contacts could be damaged - contact the supplier).
4. The flow is insufficient.	A. Ensure that the intake grid is not partly blocked. B. Ensure that the impeller or the delivery pipe are not partly blocked or encrusted. C. Ensure that the impeller is not worn. D. Ensure that the check valve (if fitted) is not partly clogged. E. On three-phase motors, check that the direction of rotation is correct (See the paragraph on "CHECKING THE DIRECTION OF ROTATION").	A. Remove any blockage. B. Remove any blockage. C. Change the impeller. D. Carefully clean the check valve. E. Invert the connection of two supply wires.
5. The thermal overload protection stops the pump.	A. Check that the liquid to be pumped is not too dense as this could cause overheating of the motor. B. Check that the water temperature is not too high. C. The pump is partly blocked by impurities. D. The pump is mechanically blocked.	C. Carefully clean the pump. D. Check whether there is rubbing between the moving and fixed parts; check the wear of the bearings (contact the supplier).

Modello / Modèle / Model /Modell / Model /Modelo Modell / Model / Модель نموذج / Malli / Model	Prevalenza / Hauteur d'élévation / Head up Förderhöhe / Overwicht / Prevalencia Maximal pumphöjd / Manometrik yükseklik /Hanop التفوق / Nostokorkeus / Wysokość ciśnienia	
	Hmax (m) 2 poles 50 Hz	Hmax (m) 2 poles 60 Hz
FEKA VS 550	7.4	7.4
FEKA VS 750	9.6	9.6
FEKA VS 1000	11.8	11.8
FEKA VS 1200	14	15.2
FEKA VX 550	7.4	7.4
FEKA VX 750	9.6	9.6
FEKA VX 1000	11.8	11.8
FEKA VX 1200	14	15.2
DRENAG 1000	15.3	15.3
DRENAG 1200	17	17

DAB PUMPS LTD.

Units 4 & 5, Stortford Hall Industrial Park,
Dunmow Road, Bishop's Stortford, Herts
CM23 5GZ - UK
salesuk@dwtgroup.com
Tel.: +44 1279 652 776
Fax: +44 1279 657 727

DAB PUMPS B.V.

Brusselstraat 150
B-1702 Groot-Bijgaarden - Belgium
info.belgium@dwtgroup.com
Tel.: +32 2 4668353
Fax: +32 2 4669218

PUMPS AMERICA, INC. DAB PUMPS DIVISION

3226 Benchmark Drive
Ladson, SC 29456 USA
info.usa@dwtgroup.com
Ph. : 1-843-824-6332
Toll Free: 1-866-896-4DAB (4322)
Fax : 1-843-797-3366

OOO DWT GROUP

100 bldg. 3 Dmitrovskoe highway,
127247 Moscow - Russia
info.russia@dwtgroup.com
Tel.: +7 495 739 52 50
Fax: +7 495 485-3618

DAB POLAND - Representative Office

Mokotow Marynarska
Ul. Postepu 15c - 3rd Floor
02-676 Warsaw - POLAND
Tel. +48 223 81 6085

DAB PUMPS CHINA

No.40 Kaituo Road, Qingdao Economic &
Technological Development Zone
Qingdao City, Shandong Province, China
PC: 266500
info.china@dwtgroup.com
Tel.: +8653286812030-6270
Fax: +8653286812210

DAB PUMPS IBERICA S.L.

Avenida de Castilla nr.1 Local 14
28830 - San Fernando De Henares - Madrid
Spain
info.spain@dwtgroup.com
Ph.: +34 91 6569545
Fax: +34 91 6569676

DAB PUMPS B.V.

Albert Einsteinweg, 4
5151 DL Drunen - Nederland
info.netherlands@dwtgroup.com
Tel.: +31 416 387280
Fax: +31 416 387299

DWT South Africa

Podium at Menlyn, 3rd Floor, Unit 3001b,
43 Ingersol Road, C/O Lois and Atterbury,
Menlyn, Pretoria, 0181 South-Africa
info.sa@dwtgroup.com
Tel +27 12 361 3997
Fax +27 12 361 3137

DAB PUMPEN DEUTSCHLAND GmbH

Tackweg 11
D - 47918 Tönisvorst - Germany
info.germany@dwtgroup.com
Tel.: +49 2151 82136-0
Fax: +49 2151 82136-36

DAB UKRAINE Representative Office

Regus Horizon Park
4M. Hrinchenka St, suit 147
03680 Kiev. UKRAINE
Tel. +38 044 391 59 43

DAB PRODUCTION HUNGARY KFT.

H-8800
NAGYKANIZSA, Buda Ernó u.5
HUNGARY
Tel. +36.93501700

**DAB PUMPS S.p.A.**

Via M. Polo, 14 - 35035 Mestrino (PD) - Italy
Tel. +39 049 5125000 - Fax +39 049 5125950
www.dabpumps.com